

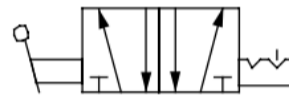
**Features:**

- Size 1/4" BSP
- Function 5 way 2 position raised button
- Body Aluminium
- Pressure Range 0 to 10 BAR
- Media Air



**Description:**

The LEL52 series are a five way two position joystick control valve. Ideal for controlling cylinders or pneumatic actuators simply push the lever one way or the other (note there is no spring return in the LEL52 model). Simple to use, install and maintain.

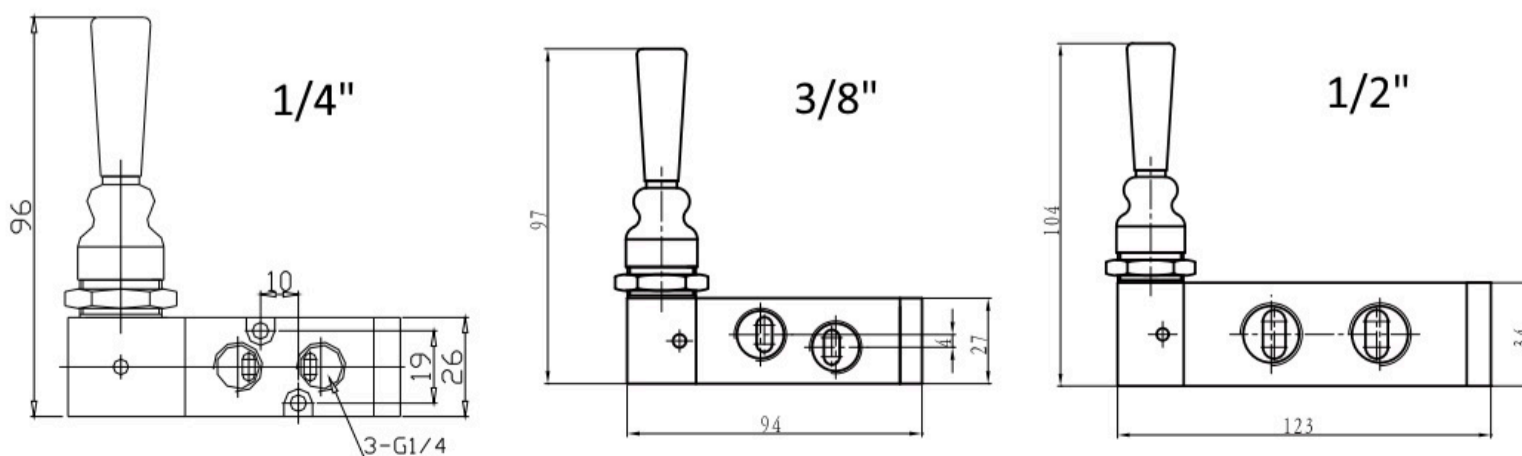


Specification	LEL52-02	LEL52-03	LEL52-04
Port Size (BSPP)	1/4"	3/8"	1/2"
Exhaust Port Size	1/8"	1/4"	1/2"
Function	5/2 Lever Valve		
Pressure Range	0 to 10 BAR (147 psi)		
Max Inlet Pressure	10 BAR (147 psi)		
Medium Temperature	-5 to 60°C		
Body	Die Cast Aluminium		
End Caps	Reinforced Plastic		
Joystick	Thermoplastic		
Lubrication	Not Required		
Applicable Medium	Air		

5 Way 2 position Lever Valve

LEL52

**Dimensions:**



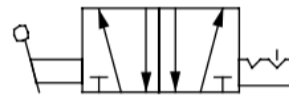
**Features:**

- Size 1/4" BSP
- Function 5 way 2 position raised button
- Body Aluminium
- Pressure Range 0 to 10 BAR
- Media Air



**Description:**

The LEL52 series are a five way two position joystick control valve. Ideal for controlling cylinders or pneumatic actuators simply push the lever one way or the other (note there is no spring return in the LEL52 model). Simple to use, install and maintain.

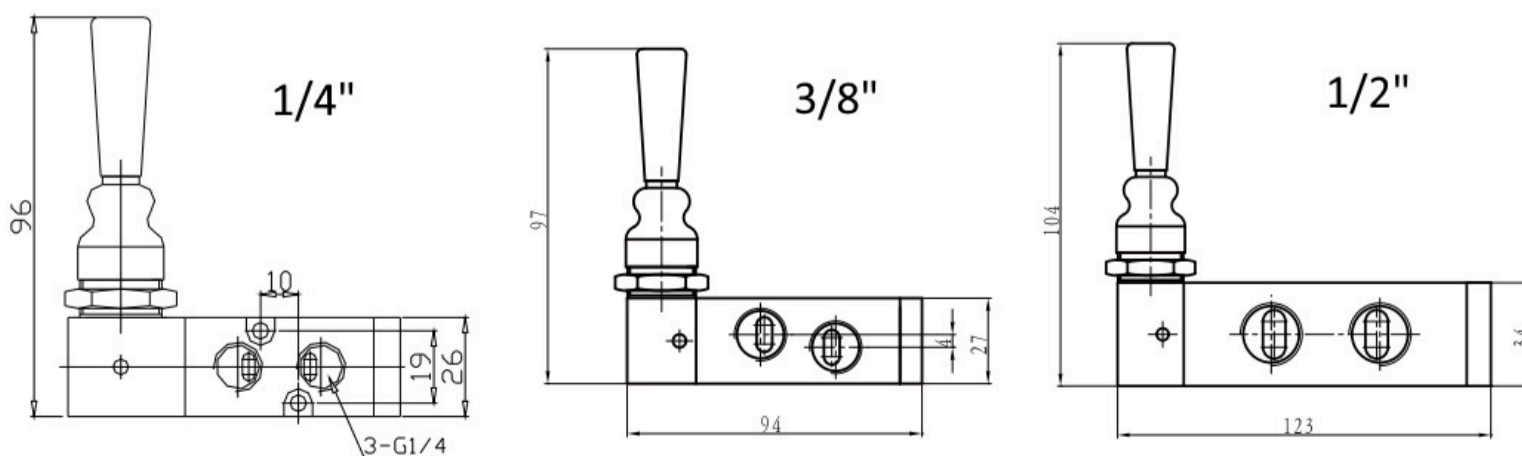


Specification	LEL52-02	LEL52-03	LEL52-04
Port Size (BSPP)	1/4"	3/8"	1/2"
Exhaust Port Size	1/8"	1/4"	1/2"
Function	5/2 Lever Valve		
Pressure Range	0 to 10 BAR (147 psi)		
Max Inlet Pressure	10 BAR (147 psi)		
Medium Temperature	-5 to 60°C		
Body	Die Cast Aluminium		
End Caps	Reinforced Plastic		
Joystick	Thermoplastic		
Lubrication	Not Required		
Applicable Medium	Air		

5 Way 2 position Lever Valve

LEL52

**Dimensions:**



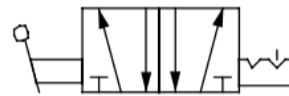
**Features:**

- Size 1/4" BSP
- Function 5 way 2 position raised button
- Body Aluminium
- Pressure Range 0 to 10 BAR
- Media Air



**Description:**

The LEL52 series are a five way two position joystick control valve. Ideal for controlling cylinders or pneumatic actuators simply push the lever one way or the other (note there is no spring return in the LEL52 model). Simple to use, install and maintain.

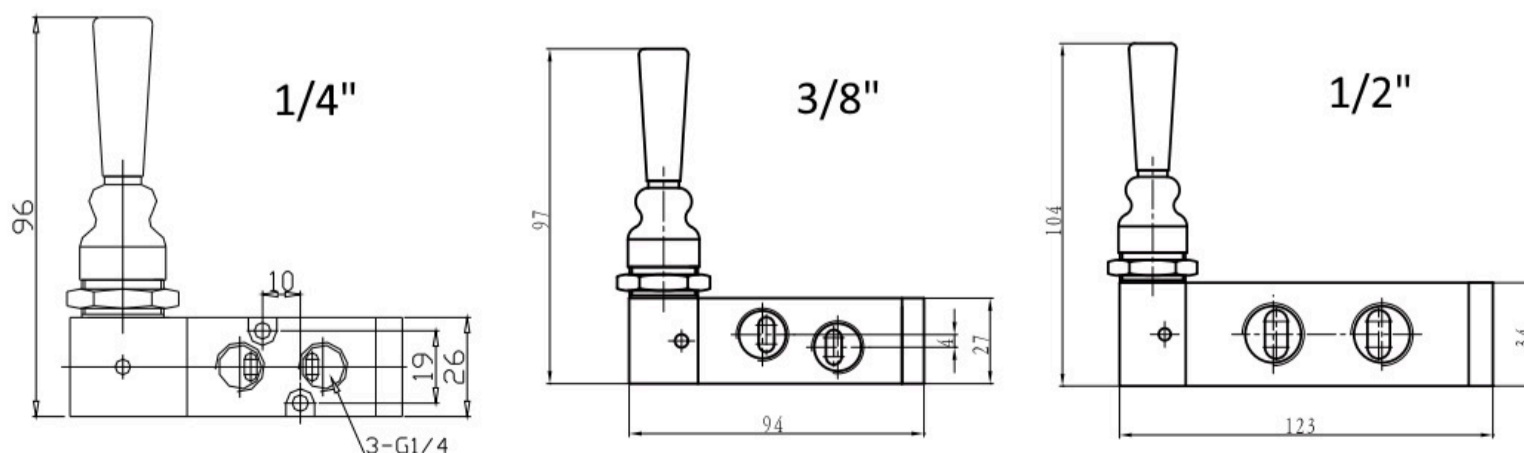


Specification	LEL52-02	LEL52-03	LEL52-04
Port Size (BSPP)	1/4"	3/8"	1/2"
Exhaust Port Size	1/8"	1/4"	1/2"
Function	5/2 Lever Valve		
Pressure Range	0 to 10 BAR (147 psi)		
Max Inlet Pressure	10 BAR (147 psi)		
Medium Temperature	-5 to 60°C		
Body	Die Cast Aluminium		
End Caps	Reinforced Plastic		
Joystick	Thermoplastic		
Lubrication	Not Required		
Applicable Medium	Air		

5 Way 2 position Lever Valve

LEL52

**Dimensions:**





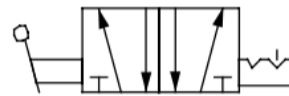
**Features:**

- Size 1/4" BSP
- Function 5 way 2 position raised button
- Body Aluminium
- Pressure Range 0 to 10 BAR
- Media Air



**Description:**

The LEL52 series are a five way two position joystick control valve. Ideal for controlling cylinders or pneumatic actuators simply push the lever one way or the other (note there is no spring return in the LEL52 model). Simple to use, install and maintain.



Specification	LEL52-02	LEL52-03	LEL52-04
Port Size (BSPP)	1/4"	3/8"	1/2"
Exhaust Port Size	1/8"	1/4"	1/2"
Function	5/2 Lever Valve		
Pressure Range	0 to 10 BAR (147 psi)		
Max Inlet Pressure	10 BAR (147 psi)		
Medium Temperature	-5 to 60°C		
Body	Die Cast Aluminium		
End Caps	Reinforced Plastic		
Joystick	Thermoplastic		
Lubrication	Not Required		
Applicable Medium	Air		

5 Way 2 position Lever Valve

LEL52

**Dimensions:**

